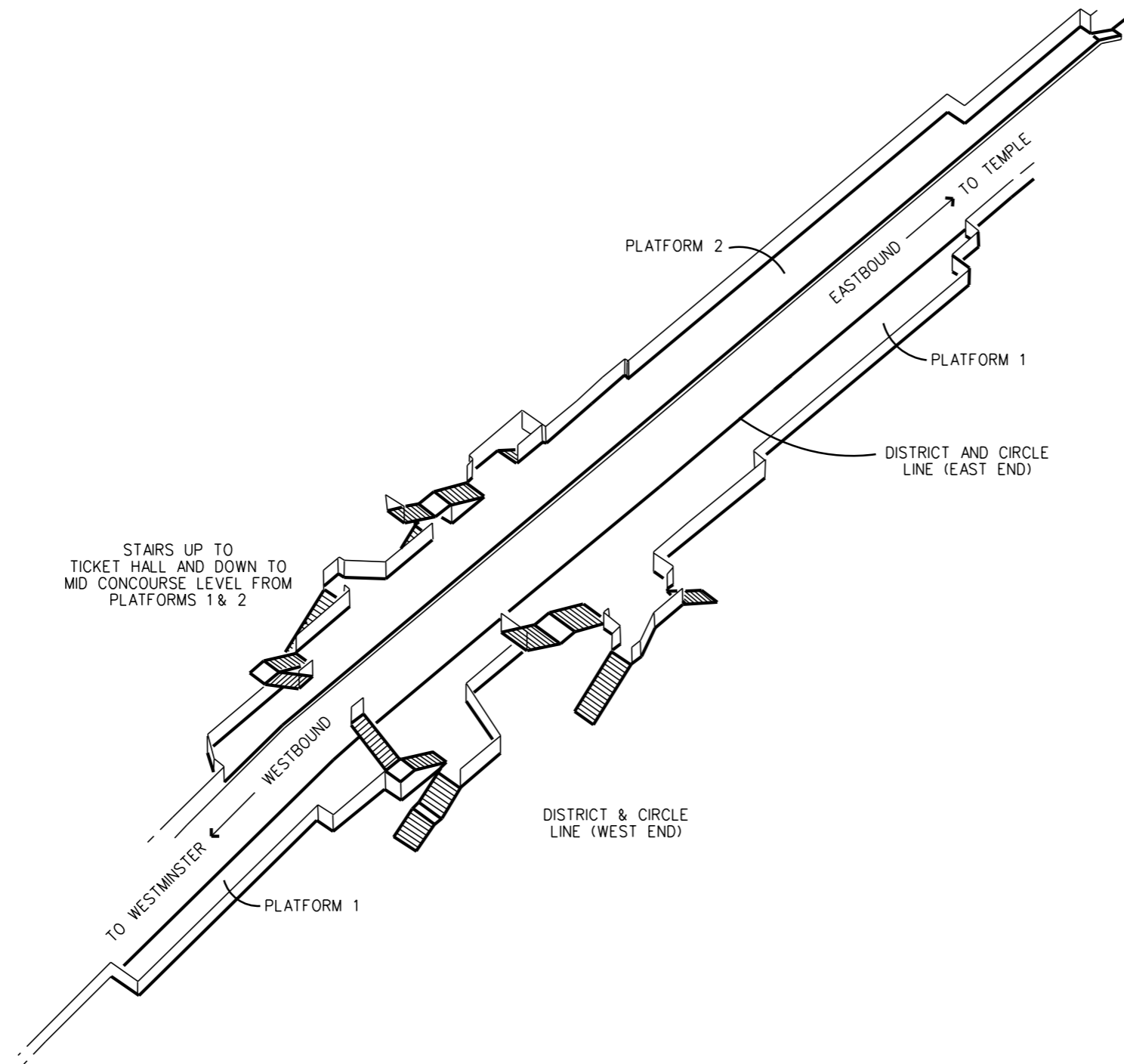
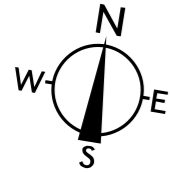


Embankment Axonometric 2 District Line Level



STATION LAYOUT



NOTE: The Axonometric should be used as a location guide. For details of specific areas refer to the relevant sheets of the plan.

APPROXIMATE DEPTH BELOW STREET LEVEL	
DISTRICT AND CIRCLE LINE PLATFORMS	5.5m
NORTHERN LINE PLATFORMS	16.2m
BAKERLOO LINE PLATFORMS	21.0m